



# Floating Cabinet Bracket Jobsite Instructions

## Tools Needed

Measuring tape	Impact driver
Level	6" T30 torx drive bit
Stud finder	Drill
Pencil	5/16" drill bit

## Parts Included

[8] Structural Screws



## Installation Instructions

**The Floating Cabinet Bracket System utilizes a modular design to accommodate a variety of applications. The installation method varies based on your application and cabinet size. Please review all these directions carefully before beginning installation.**

### Step 1: Mark the cabinet installation location

- A. Using a level as a guide, draw a horizontal line on the wall where the top of the cabinet will be located.
- B. Draw vertical lines on the wall where the ends of the cabinet will be located.
- C. Use a stud finder to locate wall studs between the vertical marks. Draw a 1" vertical line in the center of each stud.

**Step 2:** Verify that the rail assembly has been installed. If not, open the shop kit and follow those instructions before continuing.

### Step 3: Drill holes in the rail

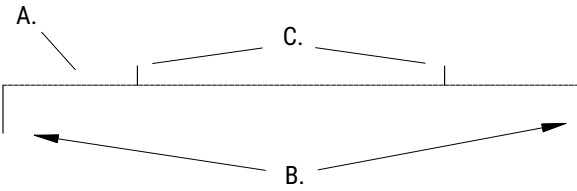
- A. Mark the stud center locations on the top edge of the cabinet back.
- B. Using a drill and a 5/16" drill bit, drill a hole aligned vertically with each mark through the rail v-grooves on the top and bottom sections of the rails.

**Note:** If one of the mounting studs is located between the rails, locate the 2" stud rail pack and follow the included instructions.  
(*This only applies to the FVB-1521 and FVB-2129 systems.*)

**Step 4:** With an assistant, hold the cabinet against the wall, align the holes with the studs, align the top edge with the horizontal placement line, and secure the rail assembly to the wall by driving a structural screw through the top holes using the impact with the T30 drive bit. Follow with structural screws through the lower holes.

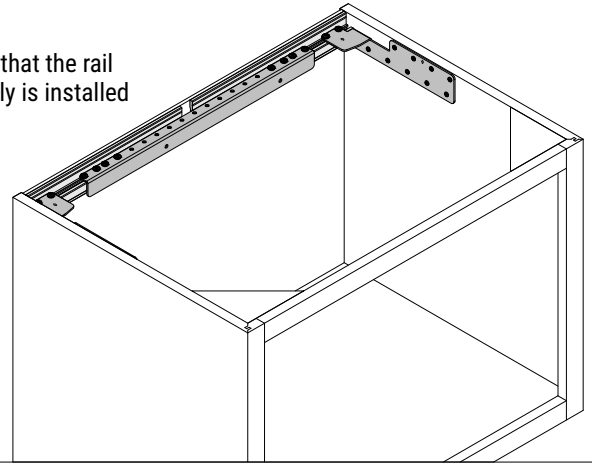
1

- A. Draw horizontal line to mark top of cabinet
- B. Draw vertical lines to mark sides of cabinet
- C. Mark stud locations



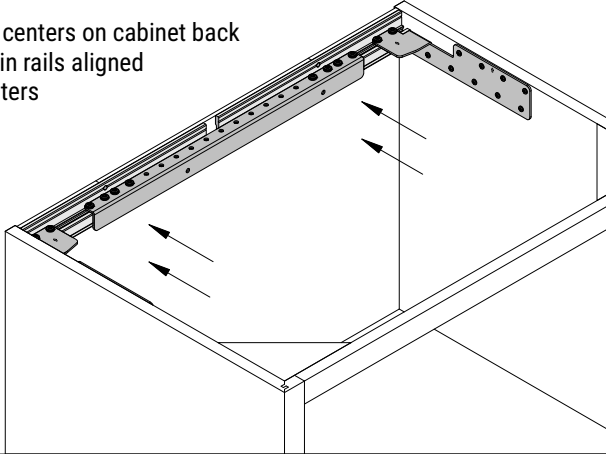
2

Verify that the rail assembly is installed



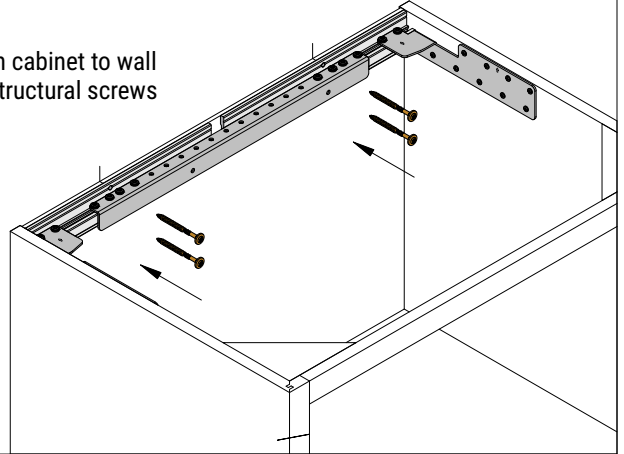
3

- A. Mark stud centers on cabinet back
- B. Drill holes in rails aligned with stud centers



4

Fasten cabinet to wall with structural screws



Discover more products by visiting us online. Just scan this **QR code** or visit **[www.innovashelf.com](http://www.innovashelf.com)** to find inspiration photos, bracket specs, other products, and information about purchasing more brackets or buying wholesale.